

10 GN 1/1 AND 10 GN 2/1 ELECTRIC CONVECTION OVEN
FORNO CONVEZIONE ELETTRICO 10 GN 1/1 E 10 GN 2/1

PNC	Model	Ref.	Page	Notes
240 206	FCF/E 10 1/1	a	1-2-3	Forno convezione elettrico 10 Gn 1/1 " Zanussi "
240 207	FCF/E 10 2/1	b	1-2-3	Forno convezione elettrico 10 Gn 2/1 " Zanussi "
260 706	ECF/E 10 1/1	c	1-2-3	Forno convezione elettrico 10 Gn 1/1 " Electrolux "
775 106	ZCF/E 10 1/1	d	1-2-3	Forno convezione elettrico 10 Gn 1/1 " Zoppas "
775 107	ZCF/E 10 2/1	e	1-2-3	Forno convezione elettrico 10 Gn 2/1 " Zoppas "
260 707	ECF/E 10 2/1	f	1-2-3	Forno convezione elettrico 10 Gn 2/1 " Electrolux "
724 056	NCF/E 10 1/1	g	1-2-3	Forno convezione elettrico 10 Gn 1/1 " Nordton "
724 057	NCF/E 10 2/1	h	1-2-3	Forno convezione elettrico 10 Gn 2/1 " Nordton "
697 306	ACF/E 10 1/1	l	1-2-3	Forno convezione elettrico 10 Gn 1/1 " Alpeninox "
697 307	ACF/E 10 2/1	m	1-2-3	Forno convezione elettrico 10 Gn 2/1 " Alpeninox "
697 503	RCF/E 10 1/1	n	1-2-3	Forno convezione elettrico 10 Gn 1/1 " Roeder "
240 212	FCF/E 10 1/1	o	1-2-3	Forno convezione elettrico 10 Gn 1/1 " Zanussi "



PLATON SERVICE

8 (800) 500-34-41

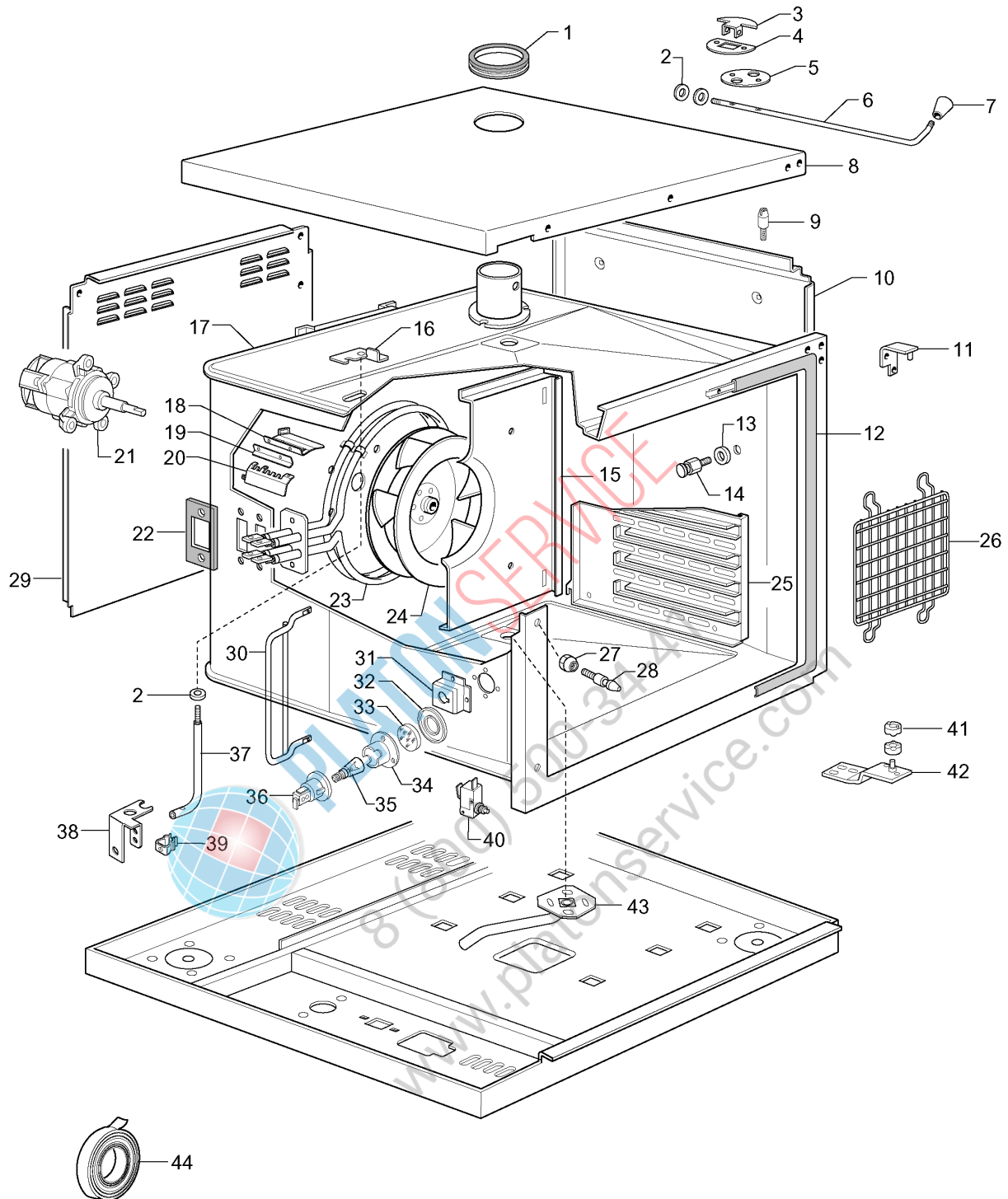
www.platonservice.com

	Index	Indice	Note
Pag. 1	Oven cabinet	Cella forno	
2	Door	Porta	
3	Electrical components	Componenti elettrici	
4-7	Spare parts list	Lista ricambi	

Brand / Marchio: Z - E - P - A - N
Factory code: 9PDX

OS / DOC

From ser. nr. / Da Ser. Nr. : 703.....	Ed. 2008 11	Doc. Nr.: 3 - 01 004
--	-------------	-----------------------------



10 GN 1/1 AND 10 GN 2/1 ELECTRIC CONVECTION OVEN
FORNO CONVEZIONE ELETTRICO 10 GN 1/1 E 10 2/1

From ser. nr. / Da Ser. Nr. : 703.....	Page: 1	Ed. 2008 11	Doc. Nr.: 3 - 01 004
--	---------	-------------	-----------------------------

??????	240206									
??????	3-01004		???????? 2				Oven cabinet			
.		Alias		S			.			(Euro)
0001	053829								BUFFER	11,50
0002	057762								WASHER SPRING; DIA 12,5/6,2X0,7MM	1,22
0003	000000	506878100								a,c,d,g,l,n,o
0004	000000	506878200								a,c,d,g,l,n,o
0006	000000	516823800								a,c,d,g,l,n,o
0007	029898								HANDLE	7,39
0008	000000	521882103								a,c,d,g,l,n,o
0009	052126								PIN	1,89
0010	000000	521880302								a,c,d,g,l,n,o
0010	000000	874889801								a,c,d,g,l,n,o
0011	003720								HINGE	32,78
0012	005712								DOOR GASKET; 665X730 MM	97,44
0013	003225								SPACER	5,91
0014	004390								PIN	6,76
0015	0A5396								WALL	98,66
0016	000000	525855300								
0017	000000	850865907								a,c,d,g,l,n,o
0018	006256								BLADE; FOR FIXING HEATING ELEMENT	15,20
0019	006253			S					ANGLE	9,19
0020	006255								SUPPORT	19,89
0021	002616		0F0007						MOTOR	a,c,d,g,l,n,o - 190W/240V50/60Hz
0022	003726								GASKET	3,40
0023	002688								HEATING ELEMENT; 5666W 230V	a,c,d,g,l,n
0023	0C5243			S	A				HEATING ELEMENT; 230V-5666W WITH FASTON	a,c,d,g,l,n,o
0024	053782		054890						FAN BLADE	a,c,d,g,l,n,o - 50 Hz
0025	003707								R.H. LIGHT DIFFUSER	a,c,d,g,l,n,o
0025	003708								L.H. LIGHT DIFFUSER	a,c,d,g,l,n,o
0026	059620								PROTECTION	35,12
0027	003685								LOCK NUT	7,92
0028	003712								CATCH	16,57
0029	000000	521881101								
0030	000000	830813800								
0031	000000	508840702								
0032	002628								FLANGE	4,01
0033	002627						+		LAMP GLASS	10,24
0034	002626						+		LAMP HOLDER GASKET	15,39

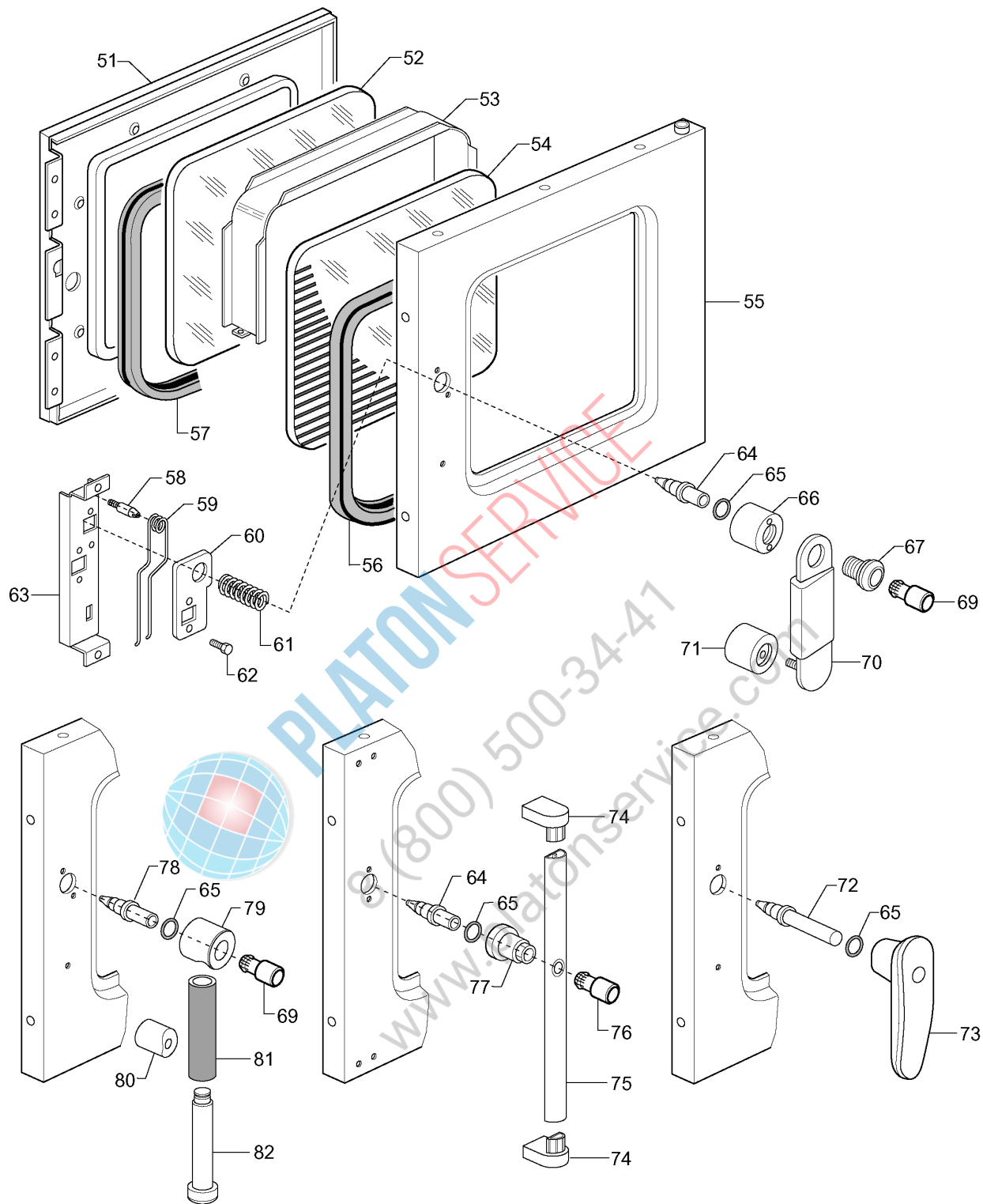
??????	240206								
??????	3-01004	???????? 2	Oven cabinet						
.		Alias		S		.			(Euro)
0035	054840						LAMP; 240V 25W		3,63
0036	002625						LAMP HOLDER		5,95
0037	000000	516823000							
0038	004719						BRACKET		12,63
0039	066823						BULB FIXING SPRING		1,89
0040	046063						DOOR MICROSWITCH		9,90
0041	002653						SPACER FOR HINGE		13,62
0042	003721						HINGE		27,81
0043	003776						DISCHARGE HOSE		27,41
0044	006451			S			ALLUMINIUN TAPE; 50MT		31,36



PLATON SERVICE

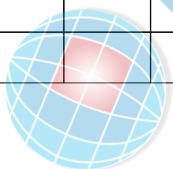
8 (800) 500-34-41

www.platonservice.com

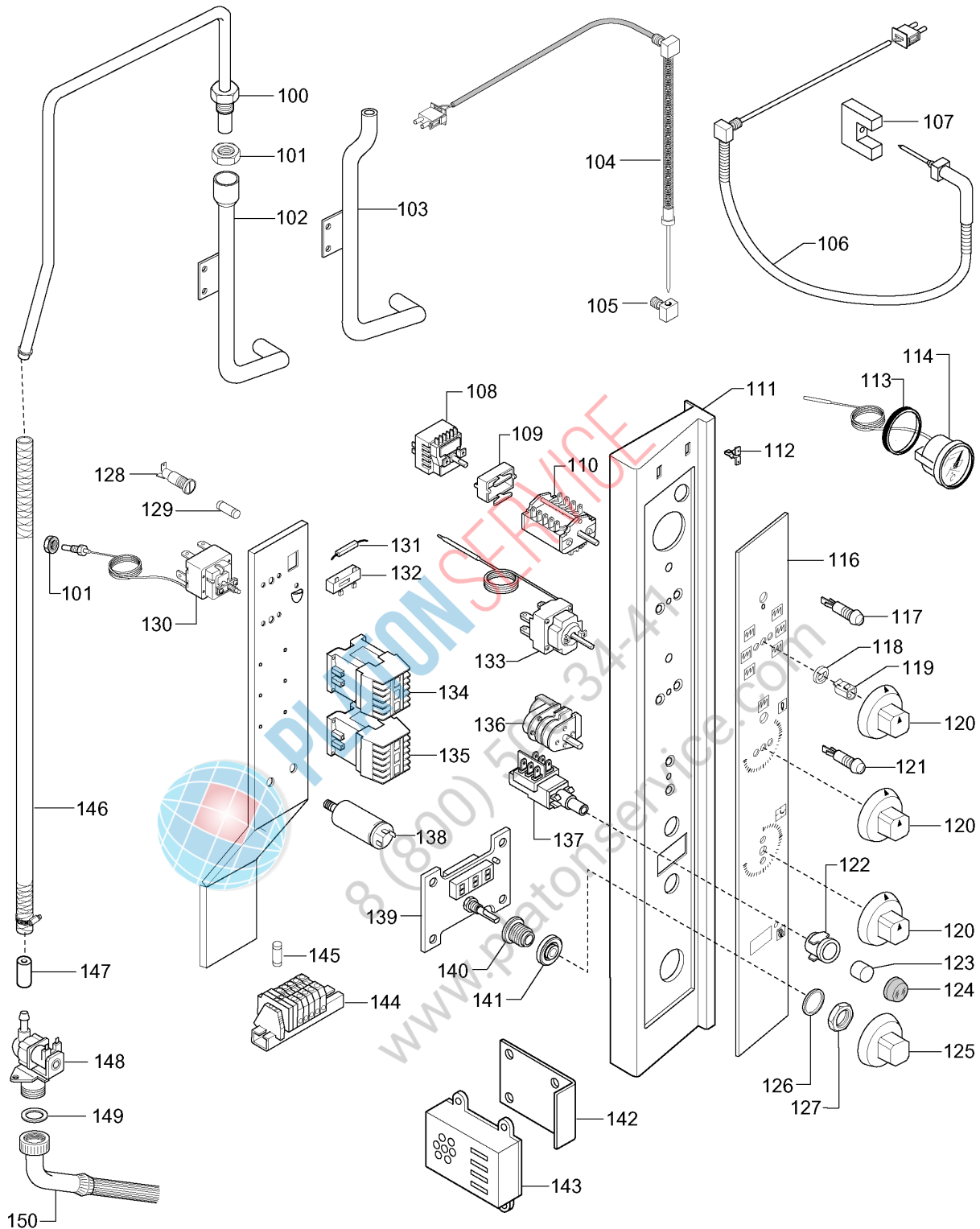


10 GN 1/1 AND 10 GN 2/1 ELECTRIC CONVECTION OVEN
 FORNO CONVEZIONE ELETTRICO 10 GN 1/1 E 10 2/1

??????	240206									
??????	3-01004		???????? 3				Door			
.		Alias		S		.				(Euro)
0051	003711						INNER DOOR			146,20
0052	002644						GLASS;			46,39
0053	000000	524820101								
0055	003710						DOOR	a,b,d,e,g,h,l,m,n,o		
0056	002878						DOOR GLASS GASKET; EXTERNAL; 2 MT			53,80
0057	003739						GASKET; DOOR GLASS; COUNTERDOOR; 2 MT			68,01
0058	052220		0G6450				SCREW			
0059	054282						SPRING; FOR DOOR LOCK			8,34
0060	000000	527801200								
0061	053757						SPRING			3,17
0062	053759						SCREW			2,64
0063	000000	525864802								
0064	003747						RETRACTOR	a,b,d,e,o		39,79
0065	052779						O-RING; ØI=20,35X1,78 MM			1,02
0066	000000	516827303						a,b,o		
0067	005624					A	SLIDE; FOR PUSH-BUTTON, FCF HANDLE	a,b,o		55,22
0069	053992						PUSH BUTTON	a,b,g,h,l,m,n,o		5,17
0070	003683						HANDLE	a,b,o		109,60
0071	000000	516827402						a,b,o		



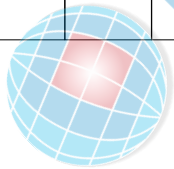
PLATON SERVICE
8 (800) 500 54 41
www.platonservice.com



10 GN 1/1 AND 10 GN 2/1 ELECTRIC CONVECTION OVEN
 FORNO CONVEZIONE ELETTRICO 10 GN 1/1 E 10 2/1

??????	240206								
??????	3-01004	???????? 4				Electrical components			
.		Alias		S		.			(Euro)
0000	000000	167098016							
0000	000000	167098082							
0000	003926		0CB101			SILICONE SEALANT - RED RTV 106; 310 ML	type RTV106		32,00
0000	005866					SILICONE ADHESIVE; 310ML	used for oven gasket		113,70
0000	006083			S		ADHESIVE SILICON; GR.100	used, bulb oven thermost.		36,00
0100	006234					PIPE	a,c,d,g,l,n,o		46,08
0101	006245					NUT			4,75
0102	003752					PIPE	a,c,d,g,l,n,o		141,10
0104	002673					CORE PROBE; PT1000	a,c,d,g,l,n,o		165,40
0105	002674					STOPPING	a,c,d,g,l,n,o		20,30
0108	055016					ENERGY REGULATOR			
0109	054376					BRACKET			1,48
0110	055017		0C6245			COMMUTATOR; 8 POS.			
0111	005335					CONTROL PANEL	a,b,o - Zanussi		
0112	053342					SPRING; FOR BRAND			1,02
0113	053809					GASKET			1,02
0114	056383			S	A	THERMOMETER; 50-350°C			75,62
0116	003838					MEMBRANE	a,b,o - Zanussi		37,96
0117	058544					GREEN PILOT LIGHT; ROUND; 230/240V			3,80
0118	003955				Kit	GASKET; SET 50 PCS			13,74
0119	025245			S		KNOB SPRING			1,02
0120	002672					KNOB	a,b,o - Zanussi		7,85
0121	058522					ORANGE PILOT LAMP; ROUND; 230/240V			3,59
0122	003767					SUPPORT			2,22
0123	003768					CAP COVER			2,74
0124	053979					PROTECTION; FOR PUSH- BUTTON			1,47
0125	002671					KNOB	a,b,o - Zanussi		5,95
0126	002727					WASHER			1,02
0127	051263					LOCK NUT			3,80
0128	056582					FUSE HOLDER			10,08
0129	002820					FUSE; 160MA; SLOW-ACTING			1,25
0130	002730					SAFETY THERMOSTAT; 338 C			77,67
0131	058872					COMPETANCE RESISTANCE; 100 OHM			4,38
0132	058873					TERMINAL BOARD			
0133	056384					THERMOSTAT; 50-296 C			45,62
0134	003598					CONTACTOR; 220-240V 50HZ/240-264V 60HZ	K2 - 12 A10 -220		

??????	240206								
??????	3-01004		???????? 4				Electrical components		
.		Alias		S			.		(Euro)
0134	088477			S	A			CONTACTOR; 220-240V 50HZ/240-264V 60HZ	28,84
0135	006879			S	A			CONTACTOR; 220-240V 50HZ/240-264V 60HZ	a,c,d,g,l,n,o - K3 18 A -230V 37,68
0135	058805							CONTACTOR; 220/240V 50/60HZ	a,c,d,g,l,n,o - K2 - 16 A10 -220
0136	003833					30029		TIMER; 120 MIN; 230V 50/60HZ	
0137	003766							SWITCH	9,80
0138	056148							CAPACITOR; 10MF	a,c,d,g,l,n,o 6,53
0139	003763			S	A			CORE PROBE PCB	272,00
0140	002662							BUSH	6,02
0141	002663							GASKET	5,39
0142	000000	5068866503							
0143	055368							BUZZER	
0144	059794							TERMINAL BOARD	26,80
0145	058871							FUSE; 6,3A; 5X20; QUICK ACTING	1,02
0146	002707					PDD2005 -18		ARMORED RUBBER HOSE; BY METER	
0147	002091			S				GAS SUPPLY REGULATOR; Ø=0,6MM	10,56
0148	055132							SOLENOID VALVE; ES180 230V 50/60HZ	
0149	061488							GASKET; ØI=15MM; ØE=24MM	1,00
0150	053789							FEEDER HOSE; 3/4"F, L=150 CM	



PLATON SERVICE
8 (800) 503411
www.platonservice.com